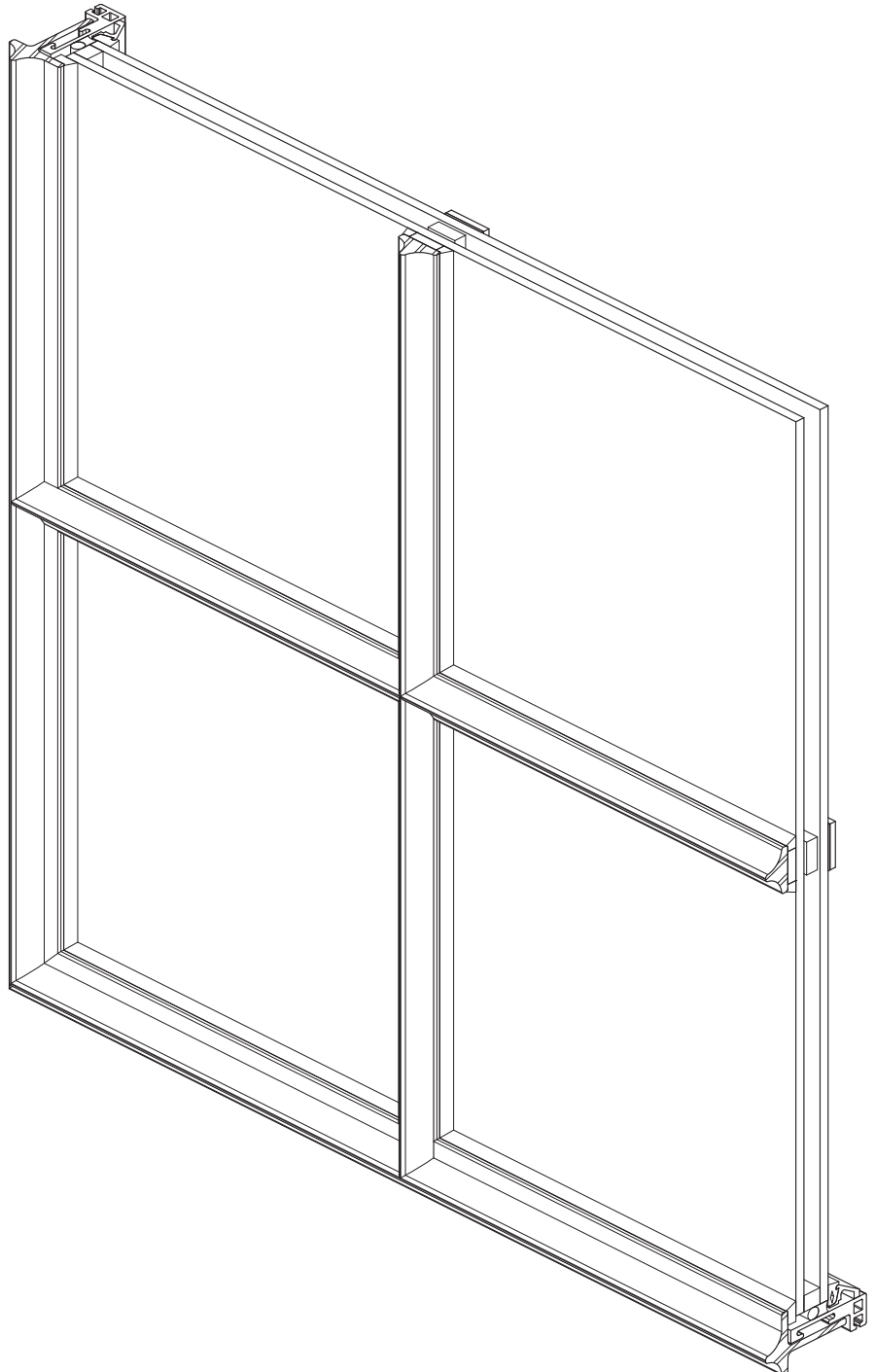


Hope's One55™ Series steel window profiles replicate the aesthetic of historic, industrial steel windows with elegant arrow-shaped profiles and delicate sightlines. With Hope's **Thermal Evolution™ Technology**, all the intrinsic strengths of solid hot-rolled steel are maintained along with enhanced thermal efficiency, exceeding the most stringent thermal codes.

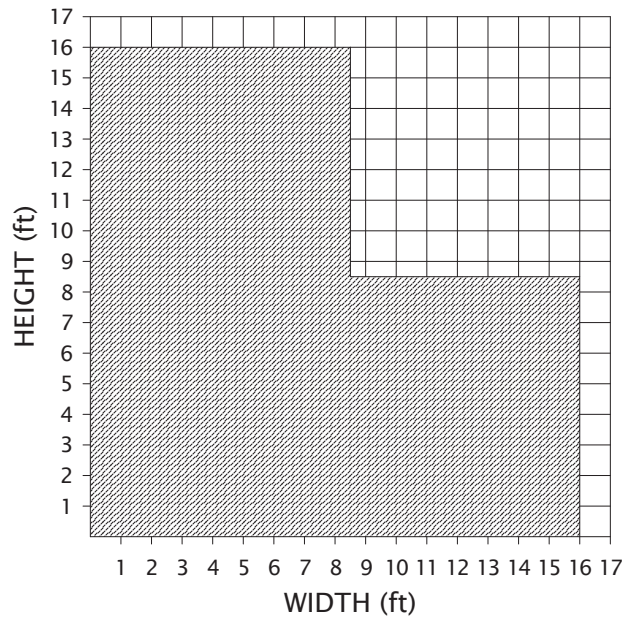
Hope's One55 Series thermal steel fixed windows can be glazed with monolithic or insulated glass for energy efficiency. The unique window profiles and very narrow sightlines are ideal for new buildings as well as replacement projects.

PRODUCT FEATURES

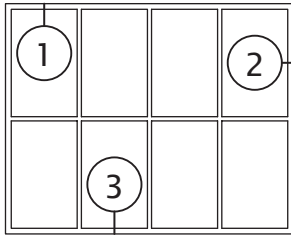
- Solid hot-rolled steel profiles
- Thermal break
- Historically accurate sightlines
- Fusion welded frame and muntin construction
- Welded steel simulated or true divided lite muntins
- Accepts up to 1-1/4" thick insulating glass
- Strength and life cycle of solid hot-rolled steel profiles
- Hope's Power of 5 Finishing System with hot-dip galvanizing pretreatment



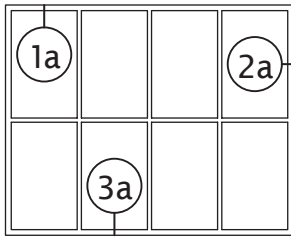
FIXED WINDOWS



For requirements exceeding the sizes shown, consult Hope's for design alternatives.



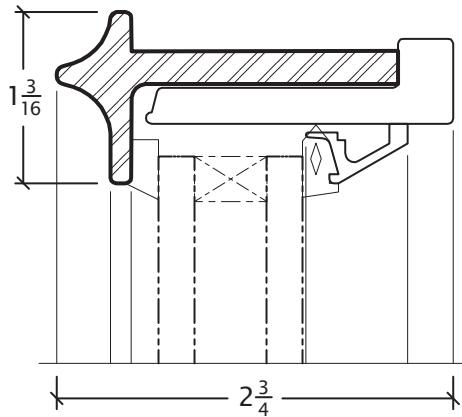
1" Glass or Thicker



Glass Less Than 1" Thick

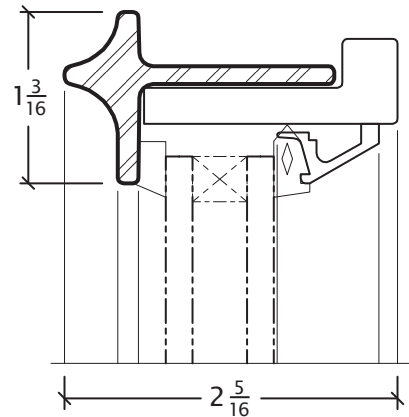
1 HEAD

1" GLASS OR THICKER

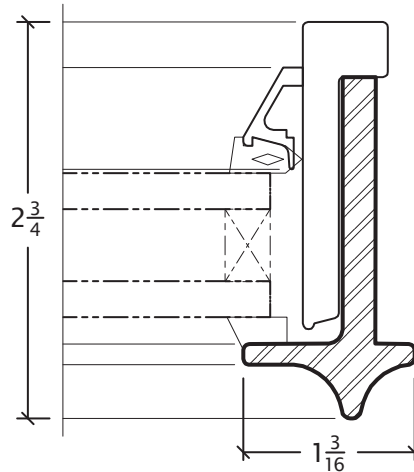


1a HEAD

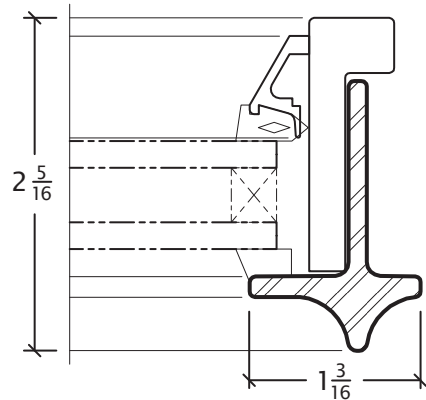
GLASS LESS THAN 1" THICK



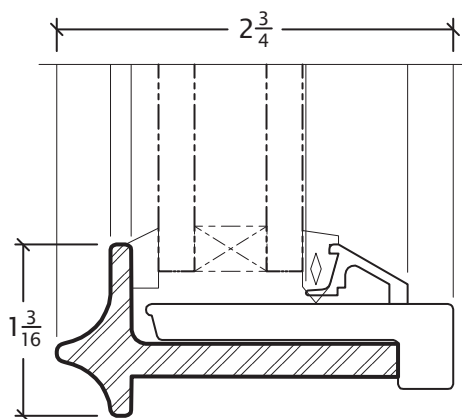
2 JAMB



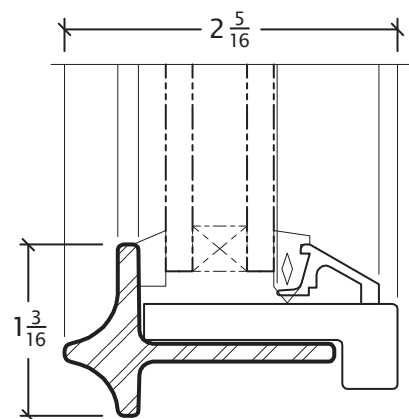
2a JAMB



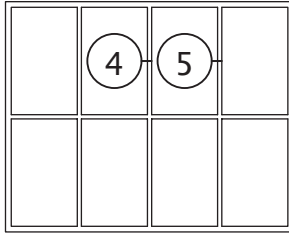
3 SILL



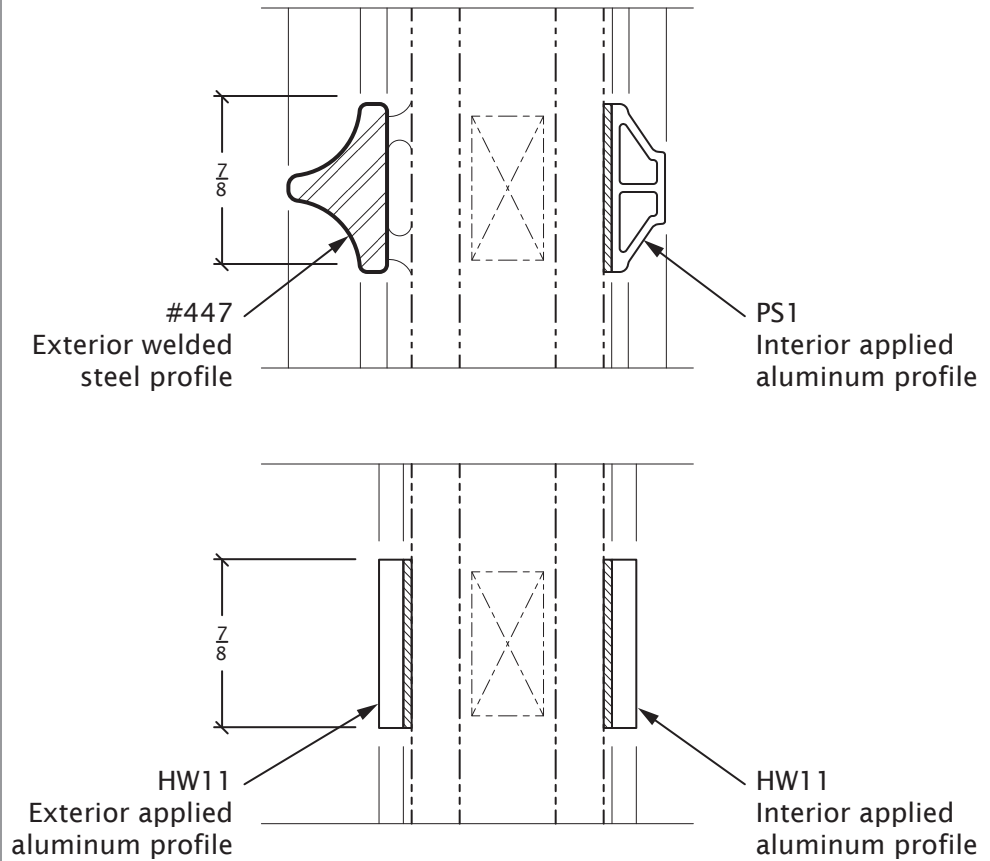
3a SILL



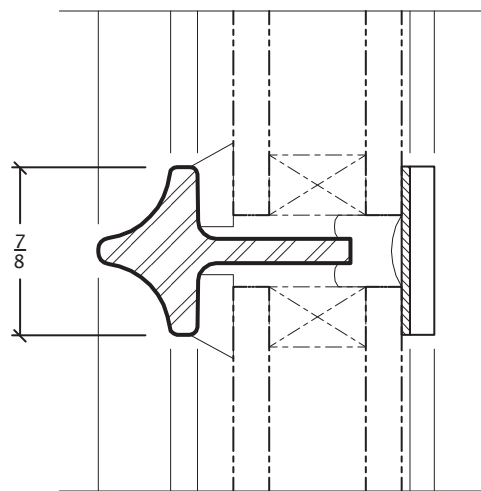
Details are 3/4 scale and shown with 1" and 3/4" thick glass respectively. See page 21 for additional glass thickness and glazing bead options. All Hope's products are custom manufactured to your specific project requirements.



4 SIMULATED DIVIDED LITE MUNTIN PROFILES



5 TRUE DIVIDED LITE MUNTIN PROFILES



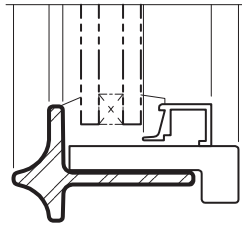
Details are full scale. Consult *Muntins, Mullions, Stacks & Deflection Channels* section of Hope's Architectural Binder for additional aluminum profile options. All Hope's products are custom manufactured to your specific project requirements.

GLAZING BEAD NOTES

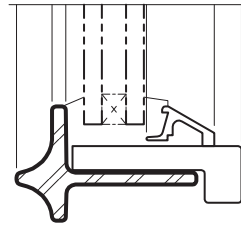
Hope's offers various types of glazing beads including: snap-in, hook-on and screw-on.

Consult Hope's for other options.

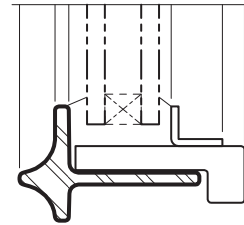
All true divided lite muntins have corresponding glazing beads to match the perimeter profiles.



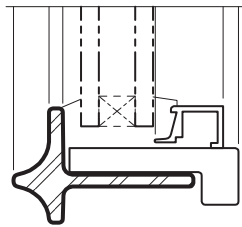
5/8" GLASS
SQUARE BEAD



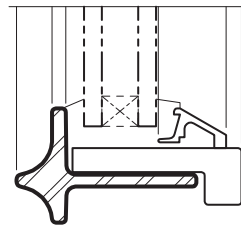
5/8" GLASS
SLOPED BEAD



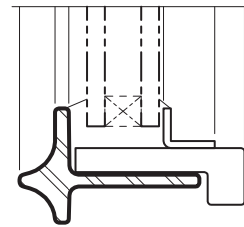
5/8" GLASS
ANGLED BEAD



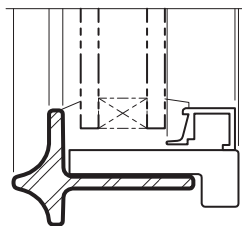
3/4" GLASS
SQUARE BEAD



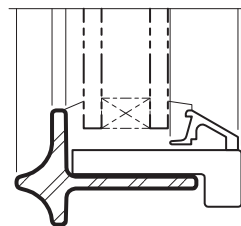
3/4" GLASS
SLOPED BEAD



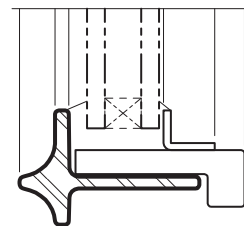
3/4" GLASS
ANGLED BEAD



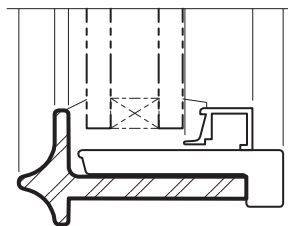
7/8" GLASS
SQUARE BEAD



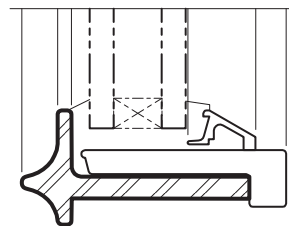
7/8" GLASS
SLOPED BEAD



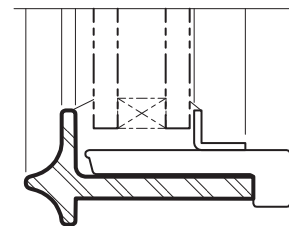
7/8" GLASS
ANGLED BEAD



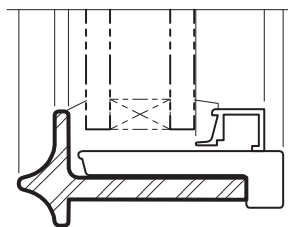
1" GLASS
SQUARE BEAD



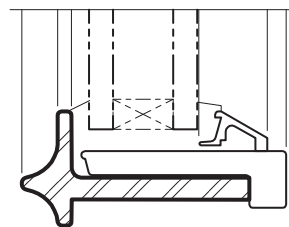
1" GLASS
SLOPED BEAD



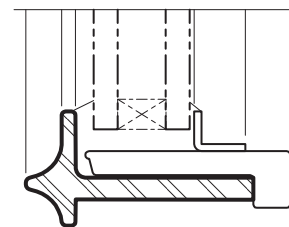
1" GLASS
ANGLED BEAD



1-1/8" GLASS
SQUARE BEAD



1-1/8" GLASS
SLOPED BEAD



1-1/8" GLASS
ANGLED BEAD

Details are half scale and shown inside glazed.